

G-FORCE™ PENDANT HANDLE

OPTIONAL HANDLE GIVES G-FORCE™ & EASY ARM™ MORE CONTROL

A two-button pendant control handle is now available exclusively for use with Gorbel's G-Force™ BX unit and the Easy Arm™ Intelligent Lifting Arm. This new infinitely variable handle is a no-charge optional alternative to our standard G-Force™ slide handle. Now the fastest, safest, most precise lifting device on the planet is even more versatile.

Features and Benefits

Infinitely Variable for More Precise Control

- The more you push on the G-Force™ Pendant Control's levers, the faster the G-Force™ or Easy Arm™ will go, much like the accelerator on your car. This gives you faster, smoother, more precise control, especially when a remote mount handle is necessary for larger end effectors.

Designed for Ease of Use

- The buttons of the G-Force™ Pendant Handle require less than 1 pound of force to depress, making it up to 70% easier than traditional pendants. This reduces the potential for fatigue and repetitive stress injuries of the hand and wrist.

Better Headroom

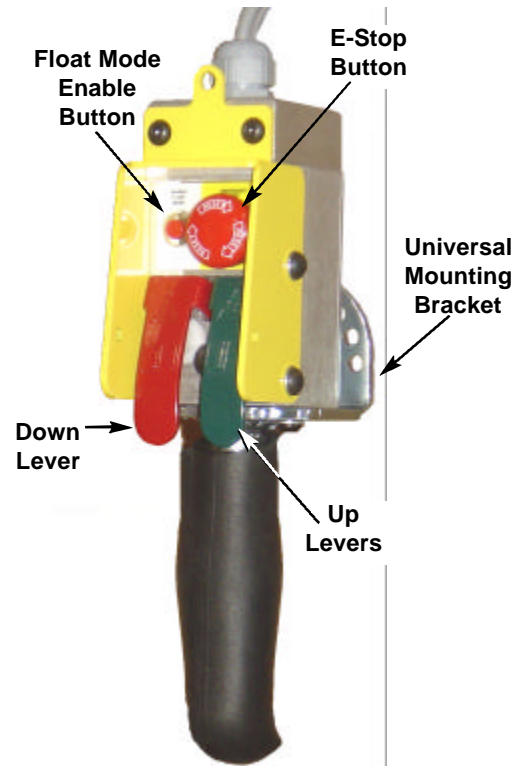
- Our suspended pendant configuration maximizes vertical travel, allowing operators to easily lift loads higher.

Users Are Comfortable With Pendant Controls

- The traditional two-button handle design, with very fine speed control, is attractive to those operators who are more comfortable with the air-balancer style handle than the traditional G-Force™ slide handle.

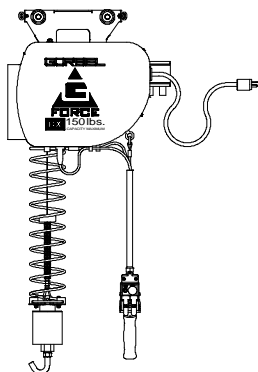
Direct Replacement for G-Force™ BX and Easy Arm™ Remote Mount Handles

- The G-Force™ Pendant Control can directly replace any existing G-Force™ BX or Easy Arm™ remote mount handle. It can also be configured as a dangling pendant for even greater application flexibility.

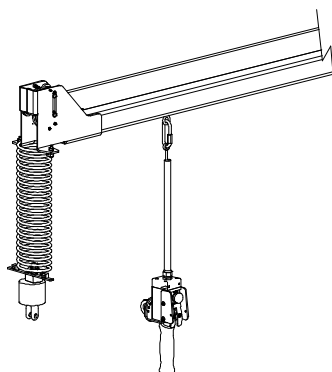


G-Force™ Pendant Control mounting Options

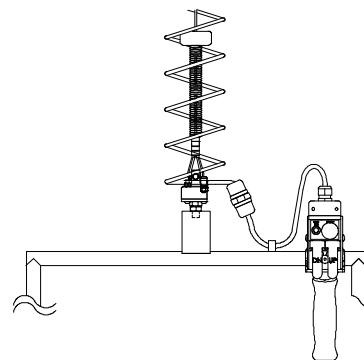
G-Force™ BX with Suspended Pendant



Easy Arm™ with Suspended Pendant



Remote Mount Pendant for G-Force™ BX or Easy Arm™

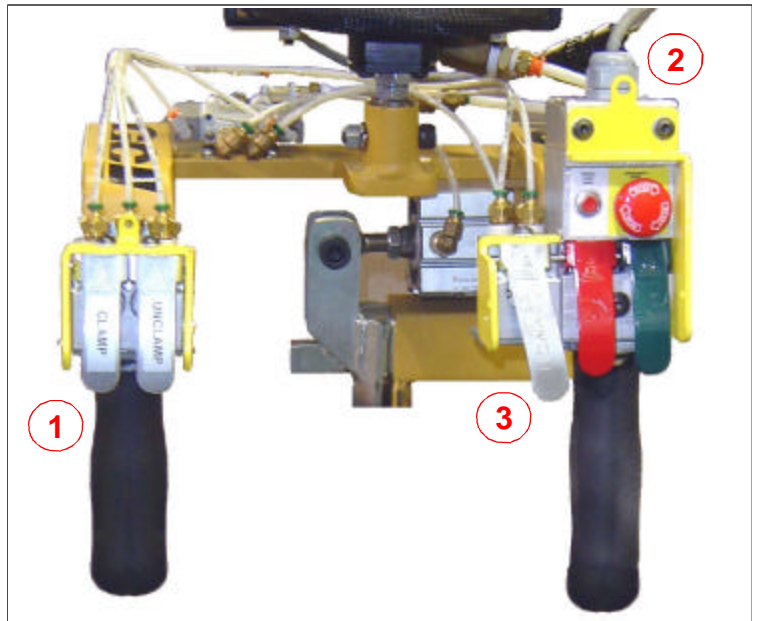


Integrate with Gorbel's Soft Touch Pneumatic Handles for Added Functionality

The **G-Force™ Pendant Handle** shares a common handle base with Gorbel's Soft Touch Pneumatic Control Handles. This allows the control block of the **G-Force™ Pendant Handle** to be easily integrated with the single pilot valve blocks of the Soft Touch Pneumatic Handle. This handle combination can be used to control end effector functions and the up/down motion of the G-Force™ on one handle.

The tooling picture shown here is a perfect example of how these two handles can be integrated to control both the G-Force™ and your end-effector.

- 1 The Soft Touch Pneumatic Controls guide the Clamp and Unclamp function on the left handle.
- 2 On the right, the integrated handle uses the G-Force™ Pendant Control to guide the Up and Down function of the tool.
- 3 The integrated single pilot valve block of the Soft Touch Pneumatic Handle guides the Common function.



Angled Levers

When you integrate the G-Force™ Pendant Control Handle with our Soft Touch Pneumatic Controls, you can choose optional Angled Levers (shown here) for your integrated handle at no additional cost.



Our G-Force™ uses patented technology and an industrial processor controlled drive system to deliver unmatched lifting precision and speed. G-Force™ enables operators to lift and maneuver loads naturally, as if the device were an extension of their own arm. The G-Force™ will help improve productivity, reduce the cost of product damage, and minimize work related injuries.

For more information on our G-Force™ BX and BXi units, go to:
www.gorbel.com/gforce/g-force.asp

View our Ergonomic study, comparing G-Force™ to traditional lifting devices, at:
www.gorbel.com/pdfs/study/gforceergostudy.pdf



Our Easy Arm™ Intelligent Lifting Arm integrates G-Force™ technology into an ergonomic articulating jib design. The versatile Easy Arm™ design is ideal for lifting applications that involve reaching under or around obstructions, lifting in low headroom areas, reaching into work cells/doorways, or when dealing with rapid changes in direction.

For more information on our Easy Arm™ unit, go to:
www.gorbel.com/gforce/easyarm.asp